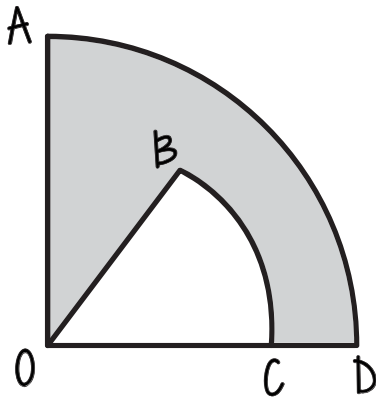


# PERIMETER DAN LUAS SEKTOR

1.

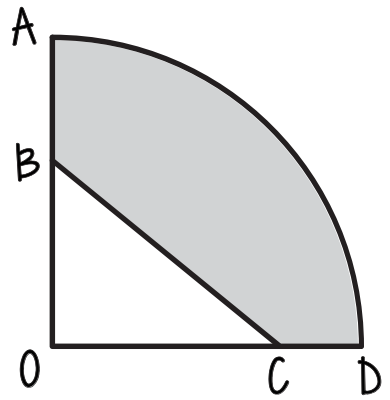
$$\begin{aligned} OA &= 7 \\ OC &= 5 \\ \angle AOD &= 90^\circ \\ \angle BOC &= 60^\circ \end{aligned}$$



- Perimeter kawasan berlorek
- Luas kawasan berlorek

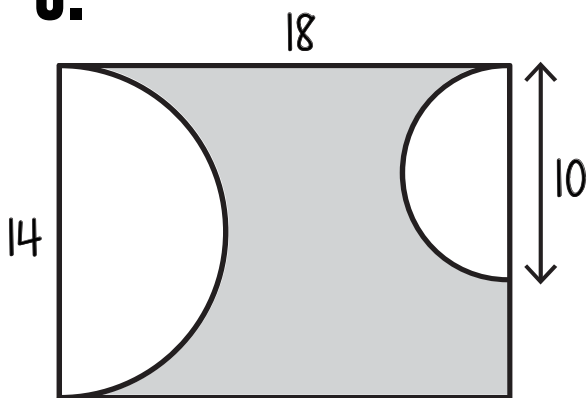
2.

$$\begin{aligned} OA &= 12 \\ OB &= 8 \\ CD &= 2 \\ \angle AOD &= 90^\circ \end{aligned}$$



- Perimeter kawasan berlorek
- Luas kawasan berlorek

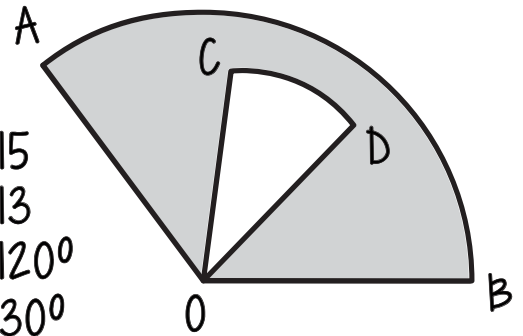
3.



- Perimeter kawasan berlorek
- Luas kawasan berlorek

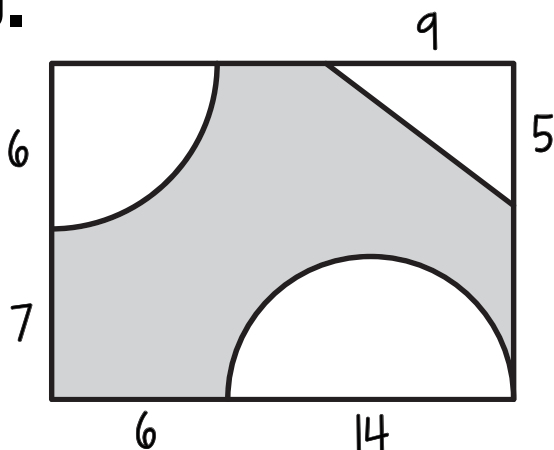
4.

$$\begin{aligned} OA &= 15 \\ OC &= 13 \\ \angle AOB &= 120^\circ \\ \angle COD &= 30^\circ \end{aligned}$$



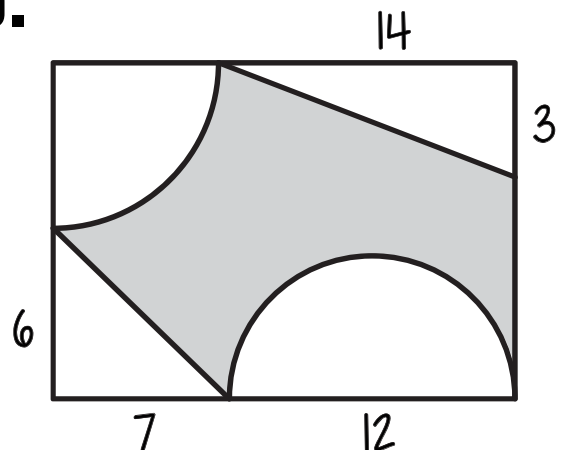
- Perimeter kawasan berlorek
- Luas kawasan berlorek

5.



- Perimeter kawasan berlorek
- Luas kawasan berlorek

6.



- Perimeter kawasan berlorek
- Luas kawasan berlorek